

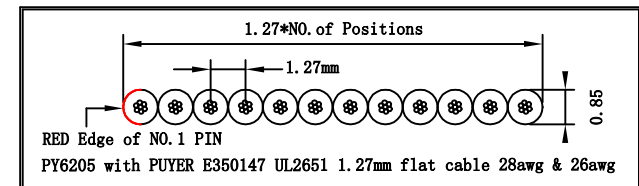
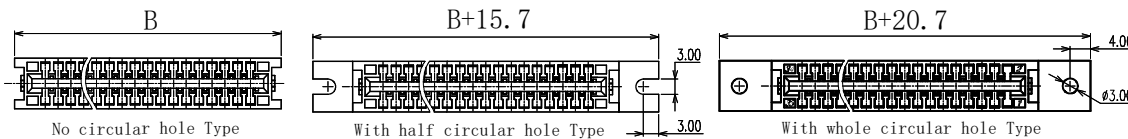
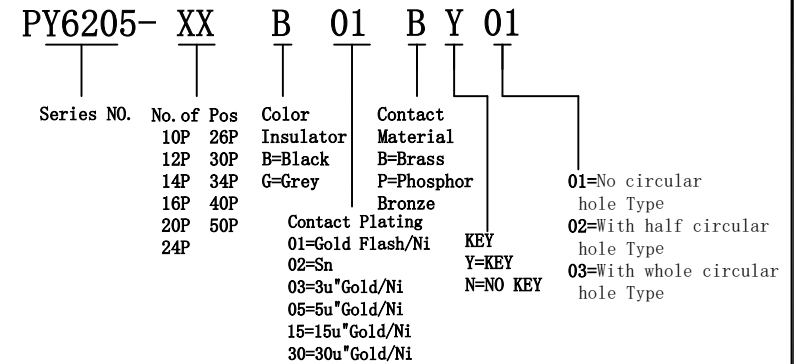
A=2.54*N0 of Positions/2-2.54
B=2.54*N0 of Positions/2+9.33


NOTES:

Current Rating : 1.0AMP
Contact Resistance : 20mΩ MAX
Withstand Voltage : 500V AC/DC
Insulation Resistance : 1000MΩ Min
Operation Temperature : -40°C to +105°C

Contact Material : Brass Or Phosphor Bronze
Contact plating : Au Or Sn over Ni
Insulator Material : PBT +30%G.F UL94V-0

Ordering Inforination



				OPERATION	DRAW	DATE	SCALE	FIT	PART NO.	PUYER 普亚电线有限公司 PUYER CABLE CO., LTD HTTP:www.puycable.com
				X.	±0.20	2016/06/27	UNIT	mm	PY6205-XXB01B01	
				X. X	±0.15	DATE	SIZE	A4	TITLE:	普亚电线 TEL:0769-85258775 FAX:0769-85251396 MOB:13711962670 QQ :405131416
AO	2016/06/27	NEW		X. XX	±0.10	DATE	SHEET	1/1	2.54 CARD EDGE	
REV	DATE	MODIFICATON DESCRIPTION	CHANGE	ANGLES	±2°	APPROVE	PROJ.		Customer NO.	
				DIM	TOL					